

## craftsman 22 weed trimmer repair manual

Owner's Manual



### WHEELED WEEDTRIMMER

675 Series Briggs & Stratton Engine  
22 Inch Cut

Model No.  
917.773740



• Español, p. 17

#### CAUTION:

Read and follow all  
Safety Rules and Instructions  
before operating this equipment.

Sears, Roebuck and Co., Hoffman Estates, IL 60179 U.S.A.  
Visit our Craftsman website: [www.sears.com/craftsman](http://www.sears.com/craftsman)

**File Name:** craftsman 22 weed trimmer repair manual.pdf

**Size:** 1966 KB

**Type:** PDF, ePub, eBook

**Category:** Book

**Uploaded:** 9 May 2019, 19:14 PM

**Rating:** 4.6/5 from 755 votes.

**Status:** AVAILABLE

Last checked: 17 Minutes ago!

**In order to read or download craftsman 22 weed trimmer repair manual ebook, you need to create a FREE account.**

[\*\*Download Now!\*\*](#)

eBook includes PDF, ePub and Kindle version

[Register a free 1 month Trial Account.](#)

[Download as many books as you like \(Personal use\)](#)

[Cancel the membership at any time if not satisfied.](#)

[Join Over 80000 Happy Readers](#)

### Book Descriptions:

We have made it easy for you to find a PDF Ebooks without any digging. And by having access to our ebooks online or by storing it on your computer, you have convenient answers with craftsman 22 weed trimmer repair manual . To get started finding craftsman 22 weed trimmer repair manual , you are right to find our website which has a comprehensive collection of manuals listed.

Our library is the biggest of these that have literally hundreds of thousands of different products represented.



## Book Descriptions:

# craftsman 22 weed trimmer repair manual

Owner's Manual



## WHEELED WEEDTRIMMER

675 Series Briggs & Stratton Engine  
22 Inch Cut

Model No.  
917.773740



• Español, p. 17

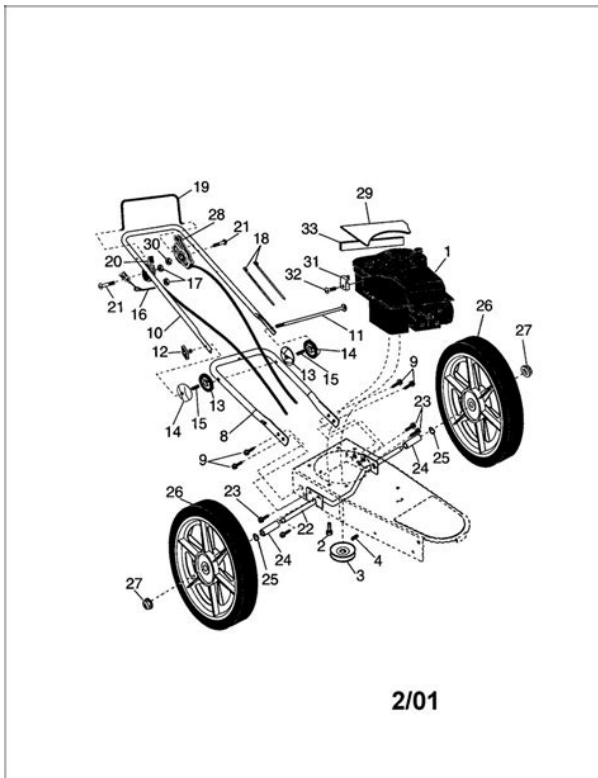
### CAUTION:

Read and follow all  
Safety Rules and Instructions  
before operating this equipment.

Sears, Roebuck and Co., Hoffman Estates, IL 60179 U.S.A.  
Visit our Craftsman website: [www.sears.com/craftsman](http://www.sears.com/craftsman)

Assembly. Operation. Maintenance. Repair Parts. Read and follow all. Safety Rules and Instructions Sears, Roebuck. Visit our Craftsman Estates, IL 60179 Safety Rules. Maintenance Schedule. Maintenance. Service and Adjustments. 12. Storage. If this Craftsman Weedtrimmer is used for commercial This Warranty does not cover Warranty service is available by returning the Craftsman Weedtrimmer to the nearest. Sears Service Center in the United States. This warranty applies only while this product This Warranty gives you specific legal rights, and you may also have other rights which Sears, Roebuck and Co., Dept. 817 WA, Hoffman Estates, IL 60179 If a spark arrester is used, it should be In the state of California the above is required by law Section 4442 of the California. Public Resources Code. Other states may have similar laws. Federal laws apply on Always wear We recommend a wide vision safety Be thoroughly A hot muffler Stop machine Do not wear Always wear work gloves and sturdy Always look Do not operate the machine without See manufacturers instructions for Never use blades, wire, or flailing Stop the rotating trimmer head when Wait for the cutting lines to stop rotating. Stop the engine motor whenever you Operate only in daylight or good Do not operate the machine while Never operate machine in wet grass. Always be sure of your footing keep a If the equipment should start to vibrate Vibration is generally a warning of Always wear safety goggles or safety The operator could lose Children are often attracted to the machine Never assume Disconnect the spark plug wire, and Check their proper operation regularly. Clean oil or fuel CAUTION Muffler and other engine IMPORTANT This trimmer is shipped. WITHOUT OIL OR GASOLINE in the engine. Your new trimmer has been assembled at the Loose Parts Packed Separately Trimmer Lines Your trimmer handle can be adjusted for Upper handle. Lift up Save this manual for future reference, Starter handle. Engine oil cap. Gasoline. Chassis. IMPORTANT This trimmer is shipped. <http://fisheaglesafaris.net/pics/user/fluke-80-series-v-getting-started-manual.xml>

- craftsman 22 weed trimmer repair manual, craftsman 22 weed trimmer repair manuals, craftsman 22 weed trimmer repair manual review, craftsman 22 weed trimmer repair manual pdf, craftsman 22 weed trimmer repair manual download.



Trimmer head control bar must be held Release to stop the trimmer head. Primer pumps additional fuel from the Throttle control used for starting and Starter handle used for starting the engine. Trimmer head control lever used to We recommend a wide vision safety mask The height of cut can be set to six 6 Adjustable Trimmer. Head Plate Tab Make sure that rim of spout is clean. Insert and tighten dipstick, then You may need Gasoline NOTE In cooler weather it may be Keep top of engine around starter clear. Purchase fuel in quantities that can be This will help engine air flow and extend This is easily done by moving slowly To avoid engine Use fresh fuel Never use engine Trimmer head contact with concrete, Check for Loose Fasteners. Clean Trimmer Check Engine Oil Level Clean Air Filter Clean or Replace Spark Plug Often when Trimmer 1/2 half their original Some adjustments will need to be made All adjustments in the Service and. Adjustments section of this manual should Follow the maintenance schedule in IMPORTANT Do not oil or grease plastic Date of Purchase. Gasoline Type. Unleaded Regular. Gasoline Capacity Oil Type Spark Plug. Champion J19LM Trimmer Line Dia, Trimmer. Line Length The model and serial numbers will be This is important to make sure the trimmer Use only the specified Trimmer line. Carrier plate Select the oils SAE viscosity grade NOTE Although multiviscosity oils Change the oil after every 25 hours of Check the crankcase oil level before Tighten oil plug NOTE Before tipping trimmer to drain Slots Rock trimmer back and forth to Container Replace the air filter every 100 hours of Back plate Carefully remove cartridge. Clean by gently tapping on a flat Petroleum solvents, such as Cover Cover Spark plug type and gap setting are Disconnect spark plug wire A clogged engine runs NOTE The handle knob and bolt may be Upper handle. Chassis Debris shield screws. Handle knob Tighten pulley bolts securely. NOTE Be sure belt is inside top belt Always use Craftsman replacement parts Idler bracket. Flat idler. Spacer. Idler. <http://clairvoyantinfotech.com/demo/images/fluke-79-series-iii-service-manual.xml>

Owner's Manual



## WHEELED WEEDTRIMMER

675 Series Briggs & Stratton Engine  
22 Inch Cut

Model No.  
917.773740



• Español, p. 17

### CAUTION:

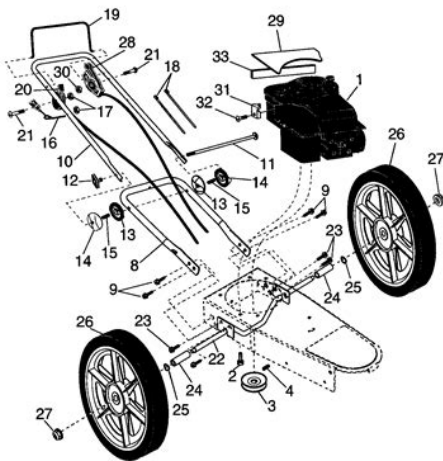
Read and follow all  
Safety Rules and Instructions  
before operating this equipment.

Sears, Roebuck and Co., Hoffman Estates, IL 60179 U.S.A.  
Visit our Craftsman website: [www.sears.com/craftsman](http://www.sears.com/craftsman)

Flat idler. Beff. Trimmer head pulley Do not attempt to increase engine speed If your engine IMPORTANT Never tamper with the If you think the IMPORTANT When folding the handle for NOTE Fuel stabilizer is an acceptable Add stabilizer P always follow the mix ratio found on stabilizer Do not drain the gas Maintenance section of this manual. IMPORTANT Never cover trimmer while. Handle knob IMPORTANT if is important to prevent gum Loss of power Excessive. Vibration Starter rope harc Loss of head Hard to push Poor trimming Trimmer head Maintenance section. Operate a trimmer across the face A 10 degree slope is a hill that increases. A 15 degree slope is a hill that increases Use extreme care at all times and avoid sudden turns or maneuvers. Follow other instructions Operate a trimmer across the face of slopes, never up or down Setscrew, Pulley. Handle, Lower. Handle, Upper. Bolt, Handle. Knob, Handle. Adjuster, Handle, Inside. Adjuster, Handle, Outside. Spring, Handle Adjust. Guide, Rope. Wire Tire. Control Bar. Throttle Control. 4. Screw, Hex Washer Head. Axle Shaft Assembly. Spacer, Axle. Washer, Wave. Wheel, 14 x 2. Drive Control. Decal, Warning. Clamp, Cable. Screw. Decal, Warning Gas Can 2.5 gal.. SAE 30W Oil 20 oz.. Trimmer Line Pack of 24 strings, 155 dia.. All component dimensions Line, Trimmer. 155 diameter x 18,75 long. Screw, Self Tapping. V Beg. Bracket, Idler. Pulley, Idler, V Groove. Pulley. Idler, Flat. Bolt, Shoulder. Locknut, Flange. Spring, Return. Shield, Debris. Skirt. Cover, Chassis, Top. Pulley, Driven. Spacer, Pulley. Beadng. Jackshaft. Cover, Chassis, Bottom. Spindle Housing Assembly. Ring, Retaining, External, 17mm. Spring, Locking Plate. Locking Plate. Carrier Plate Assembly. Washer. Cover, Beadng. Ring, Retaining, Internal, 40mm. Mow Ball. Bolt, Mow Ball. Head Assembly, Complete Spacer. Decal, Instruction. Decal, Chassis Cover. Belt Keeper, Bottom. Nut. All component dimensions given in U.S. inches K S Bushing J Seal. Sump Engine. Head Cylinder. Breather Assembly. Screw Breather Assembly.

Tube Breather. Screw Cylinder Head. Plug Oil Drain. Crankshaft. Screw Engine Sump. Flywheel. Key Flywheel. Piston Assembly Standard. Piston Assembly .020 O.S.. Piston Assembly .030 O.S.. Ring Set Piston Standard. Lock Piston Pin. Pin Piston. Rod Connecting. Screw Connecting Rod. Screw Connecting ROD. Valve Exhaust. Valve intake. Spring Valve Intake. Spring Valve Exhaust. Guard Rywheel. Retainer Valve. Tappet Valve. Camshaft Engine 12D6020015B1 . Manifold Intake. Screw Intake Manifold. Housing Rewind Starter. Rope Starter Cut to Length. Grip Starter Rope. Screw Rewind Starter. Screw Flywheel Guard. Lock Muffier Screw. Screw Throttle Valve.

Shaft Throble. O Pin Float Hinge. Jet Main Standard. Jet Main High Altitude. Kit Carburetor Overhaul. Q Plug Welch. Valve Thro Sle. Float Carburetor. Key Timing. Bracket Air Cleaner Prime r. Gasket Air Cleaner. Line Fuel Cut to Length. Screw Control Bracket. Screw Fuel Tank. Link Mechanical Governor. Spring Governor. Bracket Control. Control Lever Governor. Clamp Casing. Screw Dipstick Tube. Muffler. Housing Blower. Screw Blower Housing. Shield Cylinder. Screw Cylinder Shield Armature Magneto. Screw Armature Magneto. Spark Plug. Wire Stop. Engine Gasket Set. Flywheel Puller. Screw Carburetor. Wrench Spark Plug. Washer Governor Crank. Screw Air Cleaner Cover. Screw Air Cleaner Primer Base. Fiber Air Cleaner Cartridge. Cup Flywheel. Plato Pawl Friction. Pawl Ratchet. Nut Governor Control Lever. Dipstick. Seal Dipstick Tube. Tube Dipstick. Grommet. Bolt Governor Control Leve. Screw Debris Guard Cover. Screw Control Cover. Cover Breather Passage. Gasket Breather. Passage. Nut Rewind Starter. Screw Pawl Friction Plate. Clamp Hose. Cover Control. Starter Rewind. Screw Muffler. Retainer Governor Shaft. Crank Governor. Seal O Ring Intake Manifold. Switch Stop. Spacer Includes 2. Spacer Fuel Tank Clip. Assembly Dipstick Tube. Terminal Sparkplug. Seat Valve Intake. Seat Valve Exhaust. Bushing Guide Exhaust. Bushing Guide Intake. Guard Debris Screen. Cap Fuel Tank. Base Air Cleaner Pdmer. Filter Pre Cleaner.



2/01

<http://superbia.lgbt/flotaganis/1653304897>

Cover Air Cleaner. Screw Tank Fuel. Bowl Float. Pdmer Carburetor. Set Carburetor Gasket. Kit Label. Label Emissions. Owners Manual. Set Valve Gasket Extension Blower Housing For repair of major brand appliances in your own home. E sM Anytime, day or To bring in products such as vacuums, For the replacement parts, accessories and owners manuals To purchase or inquire about a Sears Service Agreement File Type Extension pdf. PDF Version 1.2. Linearized No. Page Count 27. Page Layout Single Page. Page Mode Use None. Producer Goby Monitor Application version 3, 2, 1, 4. Create Date Tue Aug 14 10 52 15 2007. Author. Title. Subject. If this Craftsman Weedtrimmer is used for commercial or rental purposes, this warranty applies for only 90 days from the date of purchase. This warranty applies only while this product is used in the United States. This Warranty gives you specific legal rights, and you may also have other rights which vary from state to state. If a spark arrester is used, it should be maintained in effective working order by the operator. In the state of

California the above is required by law Section 4442 of the California Public Resources Code. Federal laws apply on federal lands. A spark arrester for the muffler is available through your nearest Sears service center see the REPAIR PARTS section of this manual. SAFETY GLASSES The operation of any trimmer can result in foreign objects thrown into the eyes, which can result in severe eye damage. Always wear safety glasses or eye shields while operating your trimmer or performing any adjustments or repairs. We recommend standard safety glasses or a wide vision safety mask worn over spectacles.,il, Look for this symbol to point out important safety precautions. It means CAUTION!!! BECOME ALERT!!! YOUR SAFETY IS INVOLVED. A WARNING In order to prevent ac cidental starting when setting up, trans porting, adjusting or making repairs, always disconnect spark plug wire and 2 place wire where it cannot contact plug.

<http://nicolasdrey.com/images/colonial-raptor-flight-manual.pdf>

Instruction Manual



25cc/1.5 cu.in. 2-Cycle  
17 Inch Cutting Path / 0.080 In. Line  
**GASOLINE WEEDWACKER®**

Model No.  
358.795551

- Safety
- Assembly
- Operation
- Maintenance
- Parts List
- Español



ManualLib.com

For Occasional Use Only



**WARNING:**  
Read and follow all Safety Rules and Operating Instructions before first use of this product.

**?** For answers to your questions about this product:  
Call 7 am-7 pm, Mon.-Sat., or 10 am-7 pm, Sun.  
**1-800-235-5878**  
(Hours listed are Central Time)

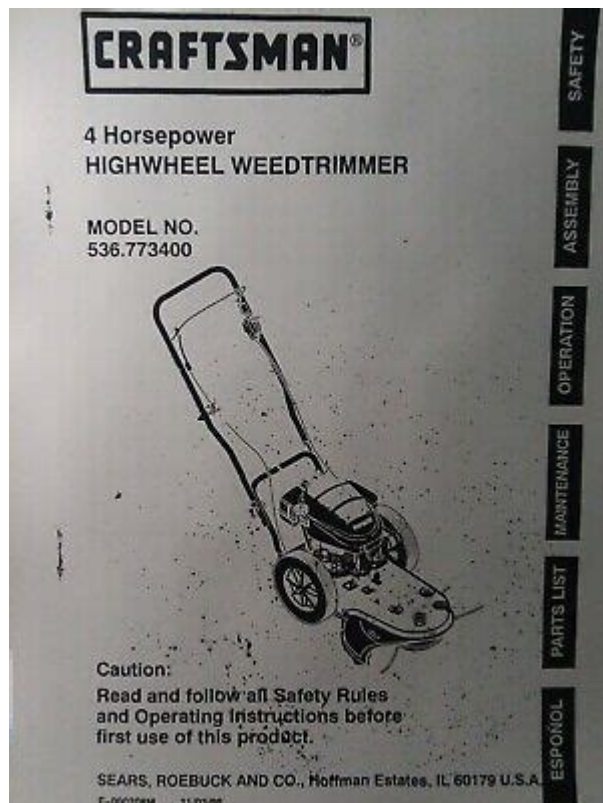
Sears, Roebuck and Co., Hoffman Estates, IL 60179 U.S.A.  
536163461 10/7/02

Also wear long trousers or slacks. Always wear work gloves and sturdy footwear. Leather work shoes or short boots work well for most people. This unit is designed for line trimmer use only. All slopes require extra caution. If you feel uneasy on a slope, do not trim it. Tall grass can hide obstacles. Reduced foot ing could cause slipping. Children are often attracted to the machine and the trimming activity. They are flammable and vapors are explosive. Use only an approved container. Never remove gas cap or add fuel with with the engine running. Allow engine to cool before refueling. Dont smoke. Never refuel the machine indoors. Never store the machine or fuel container inside where there is an open flame, such as a water heater. Clean oil or fuel spillage. Repair Protection Agreements Congratulations on making a smart pur chase. But like all prod ucts, it may require repair from time to time. Thats when having a Repair Protec tion Agreement can save you money and aggravation. Purchase a Repair Protection Agreement now and protect yourself from unexpected hassle and expense. Fast help by phone phone sup port from a Sears representative on products requiring inhome repair, plus convenient repair scheduling. Once you purchase the Agreement, a simple phone call is all that it takes for you to schedule service. You can call anytime day or night, or schedule a service ap pointment online. Sears has over 12,000 professional repair



specialists, who have access to over 4.5 million quality parts and accessories. That's the kind of professionalism you can count on to help prolong the life of your new purchase for years to come. Purchase your Repair Protection Agreement today. Some limitations and exclusions apply. Read these instructions and this manual in its entirety before you attempt to assemble or operate your new trimmer. **IMPORTANT** This trimmer is shipped **WITH OUT OIL OR GASOLINE** in the engine.

<https://cocoonproperty.com/images/colonial-warriors-technical-manual.pdf>



Your new trimmer has been assembled at the factory with the exception of those parts left unassembled for shipping purposes. All parts such as nuts, washers, bolts, etc., necessary to complete the assembly have been placed in the parts bag. To ensure safe and proper operation of your trimmer, all parts and hardware you assemble must be tightened securely. Use the correct tools as necessary to ensure proper tightness. When right hand RH or left hand LH is mentioned in this manual, it means when you are in the operating position standing behind the handle. **Loose Parts Packed Separately NOW TO SET UP YOUR TRIMMER TO UNFOLD HANDLE IMPORTANT**

Unfold handle carefully so as not to pinch or damage control cables.

1. Loosen handle knob enough to allow upper handle to be unfolded from the shipping position.
2. Raise upper handle section into place on lower handle and tighten handle knob.
3. Remove handle padding holding trimmer head control bar to upper handle. Your trimmer handle can be adjusted for your trimming comfort.

Handle knob Lower handle 5 Save this manual for future reference. These symbols may appear on your trimmer or in literature supplied with the product. Learn and understand their meaning.

**FAST SLOW OIL CAUTION ENGINE OFF FUEL AVOID SERIOUS INJURY OR DEATH**

Trimmer head control bar Throttle control Starter handle Engine oil cap with dipstick Handle knob Gasoline cap Air filter Primer Muffler Shassis cover Trimmer head **IMPORTANT** This trimmer is shipped **WITHOUT OIL OR GASOLINE** in the engine. Trimmer head control bar must be held down to the handle to engage trimmer head. Release to stop the trimmer head. Primer pumps additional fuel from the carburetor to the cylinder for use when starting a cold engine.

- 6 Throttle control used for starting and stopping the engine and allows you to select either FAST or SLOW engine speed.

Starter handle used for starting the engine.

Always wear safety glasses or eye shields while operating your trimmer or performing any adjustments or repairs. We recommend standard safety glasses or a wide vision safety mask worn over spectacles. Disconnect spark plug wire from spark plug and place wire where it cannot come in contact with plug. Recommended cutting height for the average yard is 2 inches. 1. To adjust trimming height, push in the locking plate tab and move trimmer head up or down to desired position. 2. Release tab and be sure head is locked into one of the six height positions. HOW TO USE YOUR TRIMMER ENGINE SPEED The engine speed is controlled by a throttle located on the side of the upper handle. FAST position is for starting and normal trimming. SLOW is for light trimming and fuel economy. STOP is for stopping the engine. A CAUTION DO NOT overfill engine with oil, or it will smoke heavily from the muffler on startup. 1. Be sure trimmer is level. 2. Remove oil dipstick from oil fill spout. 3. You receive a container of oil with the unit. Slowly pour the entire container down the oil fill spout into the engine. 4. Insert and tighten dipstick. You may need to change the oil more often under dusty, dirty conditions. Do not mix oil with gasoline. Purchase fuel in quantities that can be used within 30 days to assure fuel freshness. Acidic gas can damage the fuel system of an engine while in storage.

<https://creationstationdance.com/wp-content/plugins/formcraft/file-upload/server/content/files/16286fd19bbdee---cadillac-dts-navigation-manual.pdf>

<http://gbb.global/blog/boss-mrwt69-manual>