

97 dodge neon manual window regulator



File Name: 97 dodge neon manual window regulator.pdf

Size: 1343 KB

Type: PDF, ePub, eBook

Category: Book

Uploaded: 5 May 2019, 22:56 PM

Rating: 4.6/5 from 642 votes.

Download Now!

Please check the box below to proceed.



I'm not a robot



reCAPTCHA
Privacy - Terms

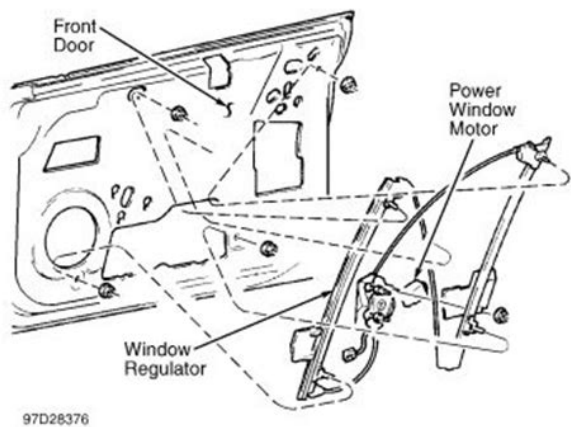
Book Descriptions:

97 dodge neon manual window regulator



Dormans new OE FIX timing cover is made with a more durable aluminum water outlet so you wont have to. View Video View Details Dormans new OE FIX timing cover is made with a more durable aluminum water outlet so you wont have to. View Video Please be sure to call the location of your choice to verify this item is in stock and available. Get regular updates on new innovations and repair tips. Please set a password for your account. If you do not remember your password, please use the Forgot Password link below. Manufacturer names and logos in the RockAuto catalog are trademarks of their respective companies and are used only to identify their products. All rights reserved. To add a new vehicle, select the year, make, and model at left. Our payment security system encrypts your information during transmission. We don't share your credit card details with thirdparty sellers, and we don't sell your information to others. Please try again. Please try again. Please try again later. Register a free business account Please try your search again later. Click here to make a request to customer service. Vehicle model years this part fits Chrysler Neon 1995, 1996, 1997 Dodge Neon 1995, 1996, 1997, 1998, 1999 Plymouth Neon 1995, 1996, 1997, 1998, 1999 We were one of the first companies to deliver replacement products for the automotive aftermarket, and we remain at the forefront today. Some solutions, like our OE FIX products, you cant even get from original vehicle manufacturers. To calculate the overall star rating and percentage breakdown by star, we don't use a simple average. Instead, our system considers things like how recent a review is and if the reviewer bought the item on Amazon. It also analyzes reviews to verify trustworthiness. Something went wrong. View cart for details. User Agreement, Privacy, Cookies and AdChoice Norton Secured powered by Verisign. <http://www.rcot.org/userfiles/epox-ep-8k5a2-manual-download.xml>

- **97 dodge neon manual window regulator, 97 dodge neon manual window regulator repair, 97 dodge neon manual window regulator replacement, 97 dodge neon manual window regulator parts, 97 dodge neon manual window regulator diagram.**

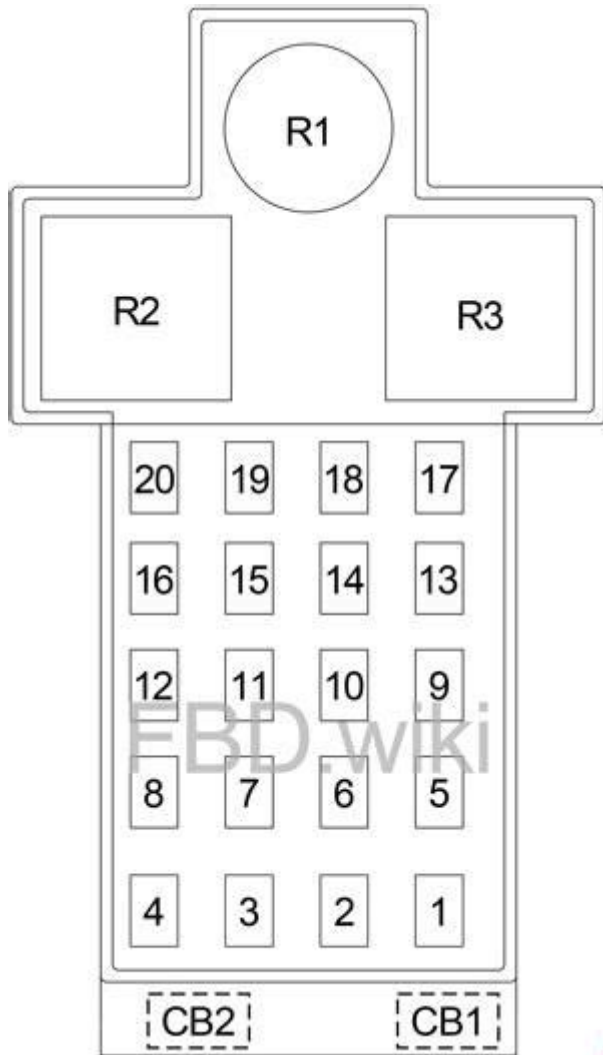


Find Auto Salvage Yards Near You Used Auto Parts Damage CodesARA, URG Salvage Yards For Sale Your Cart 0 items The Internets Only LIVE SEARCH of over 75 Million Used Auto Parts from the Nations Premier Auto Recyclers FIND YOUR PARTS NOW Step 1 Step 1 Step 2 Step 3 Step 4 Select Year Select Year First Select Make First Select a Part Dont see your Part. Choose the larger assembly your part is attached to. For example if your looking for a Hood Latch, choose Hood. Fast Friendly Parts Experts Top Quality Tested Parts PartsHotlines has been in business for over 19 years Dont see your Part. Easy! See customer service page for refund and return details You can buy with confidence! Most cars have automatic windows now but the regulator is important to automatic and manual windows. The window regulator configuration changes often so it is important for drivers to get the right one before attempting to replace their current hardware. This piece is designed to react when the motor is activated by hand or electronically to roll up and down the windows. The windows in the Dodge Neon and other vehicles have holes in the bottom to fit wheels. The window regulator powers these wheels and prevents them from going too high or too low. The part is located inside the doors of the car. PartsGeek.com has a wide variety of window regulators for different Dodge Neon models. This part is also sometimes called Dodge Neon Window Regulators. We stock these Window Regulator brands for the Dodge Neon Dorman, WAI Global and TRQ. Please try again.Consider replacing the window regulator on your Dodge Neon. The InStore Pickup option will now be defaulted at checkout. Please verify any information in question with a sales representative. You can alsoPlace a part request and let us do the searching for you. We help people find quality used auto parts from reputable salvage yards throughout. Based on the radius, a new location list is generated for you to choose from. Power windows locks mirrors.<http://www.tercovci.cz/files/epox-ep-8k9a3+-manual.xml>



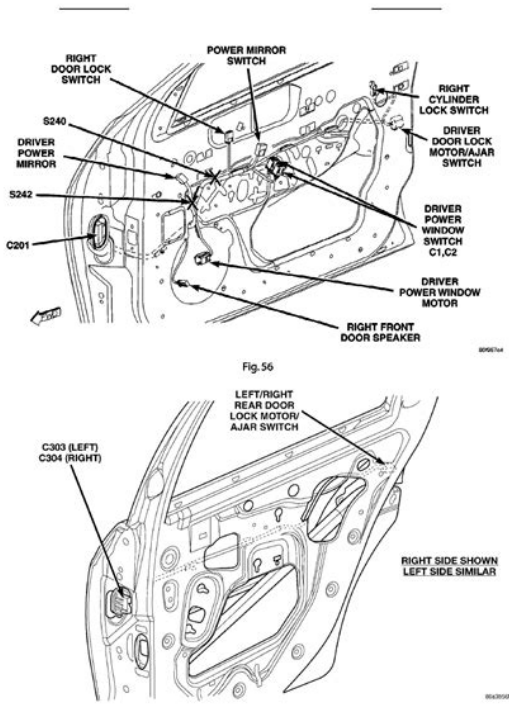
Air blows cold. Runs and drives good. I stops about half way and seems to bend inward toward the car instead of going down further. I have taken the door panel off and can not tell exactly what the issue is. I have notice that on the left side the actual glass is coming into contact with the track and that is why it is stopping. Login to post Place the phone book at the door latch and shut the door onto the book. Now press in at the top of the window frame to bend it inwards. Make certain that you do not bend it in too far, but once it moves inward, remove the book and check the fit. You should end up with the frame following the lines of the door opening and have a tight seal. They seem to be coming off track Linkage probably has faulty part. If you inspect the seal and find torn or missing segments, repair or replace. If the seal is intact, the the most likely cause is a gap in the door seal near the top rear of the door. This happens over time because the door frame can actually get bent slightly outward. It is so little as to not be visible, but you can hear the wind noise. The way to get the noise to stop is to open the door and roll the window all the way down. Then, holding the door firmly, grasp the upper rear corner and pull it inward toward to the car. A couple of sharp tugs will usually do the trick. I know it sounds silly, but it works. I believe yours is set up on a gear system. The reason it stops. These are not hard to replace. You will see the regulator and the track. You will need some tools and a drill to remove rivets. The track will pull out, then slide the new one in. I know it has to do with the switch because before it stopped entirely I could move the switch. Parts Need window switch How to remove Regards, Lee Davidian Thank you for using FixYa.com Yes, open the door, pull the interior door panel and take a look around. Watch inside with a flashlight towards the rear of the door as you roll the window down to see if you can see what its snagged on.

If you can identify it from the picture you should be able to order that part bring the diagram Diagram is power and manual. It always intrigues me, but the right side window of cars seems to be the first to go. Maybe its because of the lack of use in comparison to the drivers side. Wont start. Turns over but no spark. Also no dash or dome or interior lights working. Answer questions, earn points and help others. Get more info Ask a question Ask a question If you would like to share feedback with us about pricing, delivery or other customer service issues, please contact customer service directly. So if you find a current lower price from an online retailer on an identical, instock product, tell us and well match it. See more details at Online Price Match. Related Pages nuLOOM 3M Bodum Scotch Camco Duck Elmers Repair Glue Fram All Rights Reserved. To ensure we are able to help you as best we can, please include your reference number Feedback Thank you for signing up. You will receive an email shortly at Here at Walmart.com, we are committed to protecting your privacy. Your email address will never be sold or distributed to a third party for any reason. If you need immediate assistance, please contact Customer Care. Thank you Your feedback helps us make Walmart shopping better for millions of customers. OK Thank you! Your feedback helps us make Walmart shopping better for millions of customers. Sorry. We're having technical issues, but we'll be back in a flash. Done. Spread the word. Be the first! Only after my window had exploded did i find out the cause. The window lifter had broken in half. Obviously i didnt replace it until the unfaithful day i decided to close my door a little too hard and my window shattered. I have a twodoor model car, as you see in the picture i provided, so finding this part at a junk yard was not an option. Instead I had to search and figure out what part number this item was.



<http://www.bouwdata.net/evenement/bose-sounddock-10-manual>

That was not easy considering every diagram i found did not contain this part. After calling a dodge dealer, i found the part and ordered it. Overall, this was a pain in the ass. Driver Side 4783723AB. Passenger Side 4783722AB These are the rear lift plates. They are typically located towards your door handle and latch. Contact us with any comments or concerns. Looking for something lighter. Read our funny complaints to see people who found humor in a bad situation. Find out more about our advertising opportunities. California consumers may exercise their CCPA rights here. About a year ago I heard a loud pop while trying to roll down my drivers side window at a drive through. Then the window stopped working, luckily it was in the up position when this occurred. I called around an got a few quotes on how much it would be to fix the window. As I live in the Northwest it rarely gets hot and when it did I would just use the air conditioning instead of rolling down the window or simply roll down the passenger side window which still worked. They will be on the right hand side of the door. Unscrew and remove the speaker in the lower right hand corner. This will allow you to disconnect the wire harness that connects the motor. Remove the bolt in the middle of the door and the bolts holding the top of the regulator. I found that I had to remove the window to be able to get the regulator out. Depending on where your window got stuck you may not need to. Place it in the trunk so you dont accidentally step on it and break it. Once there, line the holes up with the window clips and screw them in. They should be firm but dont have to be too tight. If all has gone well you broken window is now working and you will be able to move it up and down. And I was taking my time. Comments are not for promoting your articles or other sites. Other product and company names shown may be trademarks of their respective owners.



HubPages and Hubbers authors may earn revenue on this page based on affiliate relationships and advertisements with partners including Amazon, Google, and others. HubPages Inc, a part of Maven Inc. HubPages Inc, a part of Maven Inc. To provide a better website experience, hubpages.com uses cookies and other similar technologies and may collect, process, and share personal data. Please choose which areas of our service you consent to our doing so. Login This is necessary to sign in to the HubPages Service. Google Recaptcha This is used to prevent bots and spam. Privacy Policy Akismet This is used to detect comment spam. Privacy Policy HubPages Google Analytics This is used to provide data on traffic to our website, all personally identifiable data is anonymized. Privacy Policy HubPages Traffic Pixel This is used to collect data on traffic to articles and other pages on our site. Unless you are signed in to a HubPages account, all personally identifiable information is anonymized. Amazon Web Services This is a cloud services platform that we used to host our service. Privacy Policy Cloudflare This is a cloud CDN service that we use to efficiently deliver files required for our service to operate such as javascript, cascading style sheets, images, and videos. Privacy Policy Google Hosted Libraries Javascript software libraries such as jQuery are loaded at endpoints on the googleapis.com or gstatic.com domains, for performance and efficiency reasons. Privacy Policy Features Google Custom Search This is feature allows you to search the site. Privacy Policy Google Maps Some articles have Google Maps embedded in them. Privacy Policy Google Charts This is used to display charts and graphs on articles and the author center. Privacy Policy Google AdSense Host API This service allows you to sign up for or associate a Google AdSense account with HubPages, so that you can earn money from ads on your articles.



No data is shared unless you engage with this feature. Privacy Policy Google YouTube Some articles have YouTube videos embedded in them. Privacy Policy Vimeo Some articles have Vimeo videos embedded in them. Privacy Policy Paypal This is used for a registered author who enrolls in the HubPages Earnings program and requests to be paid via PayPal. No data is shared with Paypal unless you engage with this feature. Privacy Policy Facebook Login You can use this to streamline signing up for, or signing in to your Hubpages account. Conversion Tracking Pixels We may use conversion tracking pixels from advertising networks such as Google AdWords, Bing Ads, and Facebook in order to identify when an advertisement has successfully resulted in the desired action, such as signing up for the HubPages Service or publishing an article on the HubPages Service. Statistics Author Google Analytics This is used to provide traffic data and reports to the authors of articles on the HubPages Service. Privacy Policy Comscore ComScore is a media measurement and analytics company providing marketing data and analytics to enterprises, media and advertising agencies, and publishers. Nonconsent will result in ComScore only processing obfuscated personal data. Privacy Policy Amazon Tracking Pixel Some articles display amazon products as part of the Amazon Affiliate program, this pixel provides traffic statistics for those products Privacy Policy Clicksco This is a data management platform studying reader behavior Privacy Policy . And by having access to our ebooks online or by storing it on your computer, you have convenient answers with 97 Dodge Neon Repair Manual. To get started finding 97 Dodge Neon Repair Manual, you are right to find our website which has a comprehensive collection of manuals listed. Our library is the biggest of these that have literally hundreds of thousands of different products represented.

I get my most wanted eBook Many thanks If there is a survey it only takes 5 minutes, try any survey which works for you. We will get back to you in 24 hours. Thank you. Close Feedback Found a bug. Suggestions Copyright Need help. Business Development General inquiry Email address optional A message is required Message required. Please try again. Simply copy and paste the link with the competitor's price in the Notes section of checkout and we will refund you the difference. Some restrictions apply. While every reasonable effort is made to ensure the accuracy of this data, we are not responsible for any errors or omissions contained on these pages. Please verify any information in question with a sales representative.

<http://www.musicmaestrodiscos.co.uk/wp-content/plugins/formcraft/file-upload/server/content/files/1627f147036f1c---brother-vx-1125-sewing-machine-manual-free.pdf>

airbornelabs.com/images/editor/files/casio-ex-f1-manual-focus.pdf

<https://www.interactivelearnings.com/forum/selenium-using-c/topic/16210/bose-sounddock-10-manual>