

File Name: 73pvm-s2h manual.pdf

Size: 4399 KB

Type: PDF, ePub, eBook

Category: Book

Uploaded: 18 May 2019, 18:42 PM

Rating: 4.6/5 from 729 votes.

Status: AVAILABLE

Last checked: 12 Minutes ago!

In order to read or download 73pvm-s2h manual ebook, you need to create a FREE account.

[Download Now!](#)

eBook includes PDF, ePub and Kindle version

[Register a free 1 month Trial Account.](#)

[Download as many books as you like \(Personal use\)](#)

[Cancel the membership at any time if not satisfied.](#)

[Join Over 80000 Happy Readers](#)

Book Descriptions:

We have made it easy for you to find a PDF Ebooks without any digging. And by having access to our ebooks online or by storing it on your computer, you have convenient answers with 73pvm-s2h manual . To get started finding 73pvm-s2h manual , you are right to find our website which has a comprehensive collection of manuals listed.

Our library is the biggest of these that have literally hundreds of thousands of different products represented.



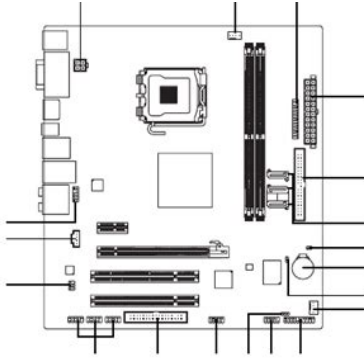
Book Descriptions:

73pvm-s2h manual



ToF camera is a special purpose, lowcost smart solution with novel 3D imaging capture technology. The ToF camera includes highperformance advanced analytics as a standard feature, improving measurement accuracy and performance when compared to the current generation of RGB and stereoscopic cameras. Based on Intel's Micro Architecture, the Intel multicore processors with 4 cores and two shared L2 caches provide the best capability per watt solutions and are an ideal choice for multimedia enthusiasts and intensive multitasking environments. This cutting edge processor offers significant performance boosts and provides an overall more energy efficient platform. GIGABYTE adopts Conductive Polymer Aluminum Solid Capacitors for CPU VRM to ensure a longer lifespan for systems in daily operation and boost system stability under extreme conditions. CPU VRM with Solid Capacitors featuring better electronic conductivity, excellent heat resistance enhances system durability even operating in high temperature environment. Unique system software such as Xpress Recovery 2, PC Health Monitor, HDD S.M.A.R.T., and C.O.M. further strengthen the stability and reliability of your PC!. more GIGABYTE will continue to develop RoHS compliant PC components and commit valuable resources to promoting and advancing RoHS directive goals and objectives. Under Integrated Peripherals, ensure NV SerialATA Controller is enabled Figure 1. Then, go to the SATAII RAID Config submenu Figure 2. Then, enable RAID functionality for the SATA connectors with hard drives that you want to use for RAID. For example, SATAII PriMaster RAID is for the SATAII0 connector and SATAII Pri Slave RAID. Gigabyte GA73PVMS2H Drivers Download. This page contains the list of device drivers for Gigabyte GA73PVMS2H. Reload to refresh your session. Reload to refresh your session. We delete comments that violate our policy, which we encourage you to read. Discussion threads can be closed at any time at our discretion. Rev. <http://www.igk-lilienthal.de/downloads/elkay-repair-manual.xml>

- **ga-73pvm-s2h manual, gigabyte ga-73pvm-s2h manual, 73pvm-s2h manual.**





Page 2 Motherboard Oct. 11, 2007 The trademarks mentioned in this manual are legally registered to.
Page 4 Table of Contents. Box Contents. 6. Optional Items. 6. GA73PVMS2H Motherboard Layout. 7.
Block Diagram. 8. Chapter. Page 5 Chapter 3 Drivers Installation. 57 The motherboard contains
numerous delicate electronic circuits and components which can become
Page 13 13 Installing the CPU and CPU Cooler
Page 15 132 Installing the CPU Cooler. Follow the steps below to correctly
install the CPU cooler on the motherboard. The following.
Page 16 14 Installing the Memory
Page 17 15 Installing an Expansion Card The items below are supported under Windows XP operating system
only. When using.
Page 19 Graphics Chip Maker Model Name. ATi GIGABYTE GVRX30HM128D This
connector provides digital audio out to an external audio system that supports digital
optical
Microphones must be connected to this jack. Each IEEE 1394a header can provide one.
Page 32 17 LPT Parallel Port Header
Page 34 GA73PVMS2H Motherboard 34 . BIOS Basic Input and
Output System records hardware parameters of the system in the CMOS on.
Page 36 21 Startup
Screen. The following screen may appear when the computer boots.
Page 37 22 The Main Menu.
Once you enter the BIOS Setup program, the Main Menu as shown below appears on the.
Page 38 Standard CMOS Features
Page 39 23 Standard CMOS Features
Page 40 The following fields display
your hard drive specifications. If you wish to enter the parameters
Page 41 24 Advanced BIOS
Features
Page 42 Limit CPUID Max. Set this item.
Page 43 25 Integrated Peripherals
Page 46 Legacy
USB storage detect
Page 48 Power On by Alarm
Page 51 CPU Smart FAN Control. Enables or disables
the CPU fan speed control function. Enabled allows the CPU fan to run.
Page 52 29 MB Intelligent
Tweaker M.I.T. Setting shows the value you manually adjust; This page displays all the tools and
applications that GIGABYTE develops and some free
software. <http://valdhans.cz/userfiles/elkay-water-cooler-manual.xml>

GA-73PVM-S2H

LGA775 socket motherboard for Intel® Core™ processor family/
Intel® Pentium® processor family/Intel® Celeron® processor family

User's Manual

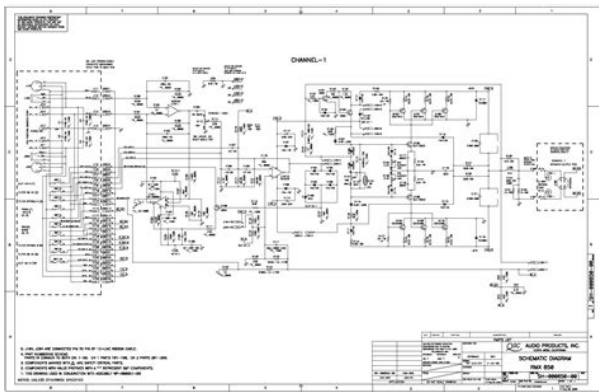
Rev. 1003

12ME-73PVM-S2H-1003R

This page provides information about the hardware devices on this motherboard. Check the contacts. Page 60 GA73PVMS2H Motherboard 60 A. Installing Windows XP and Partitioning. Page 63 4. After the operating system is installed, rightclick the My Computer icon on your desktop andPage 66 42 BIOS Update Utilities. QFlash and. Page 67 B. Updating the BIOS. When updating the BIOS, choose the location where the BIOS file is saved. The follow procedure. Page 68 Step 4. Press and then to exit QFlash and reboot the system. As the system boots, you should. A. Before You BeginPage 70 Step 3Page 71 43 EasyTune 5. EasyTune™ 5, an easytouse and convenient system overclocking and management tool, lets you doWindows ReadyBoost allows you to use flash memory on a Windows Vista certified USB flash drive.To configure SATA hard drives, follow the steps below. A. Install SATA. Page 74 B. Configuring SATA controller mode in BIOS Setup. Make sure to configure the SATA controller mode correctly in system BIOS. Page 75 C. Configuring RAID set in RAID BIOS. Enter the RAID BIOS setup utility to configure a RAID array. For a. Page 76 Step 5. Next, select the hard drives which you wish to be included in the disk array. The Free Disks. Page 77 After that, the Array List screen appears, displaying the RAID array that you have created Figure 7.To successfully install operating system onto SATA. Page 80 Step 3. When installing the RAID driver, for example, if Setup correctly recognizes the driver in the floppy disk,Step 1. Page 83 Step 3. When a screen as shown in Figure 9 appears, select NVIDIA nForce RAID Controller and press. Next.The motherboard provides six audio jacks on theIn the speaker list on thePage 87 Step 3Page 88 523 Configuring Microphone Recording. Step 1. After installing the audio driver, the Audio Manager icon will appear in your system. Page 89 Step 4. To hear the sound being recorded during the recordPage 90 Step 6.

To raise the recording and playing sound for theTo read more FAQs for your motherboard, please go to the Support\Motherboard\FAQ page on. Page 92 532 Troubleshooting Procedure. If you encounter any troubles during system startup, follow the troubleshooting procedure below toNo CPU or CPU. Page 94 Regulatory Statements. Regulatory Notices. This document must not be copied without our written permission, and the contents there of must. Page 95 Finally, we suggest that you practice

other environmentally friendly actions by understanding andPage 96 GA73PVMS2H Motherboard 96 Address No.6, Bau. Page 100 y G.B.T. TECHNOLOGY TRADING GMBH Germany y Hungary. WEB address WEB address. To download the proper driver, first choose your operating system, then find your device name and click the download button. Please click here to download. Please email us if youre running the latest version of your browser and you still see this message. The actual Open Box product may differ in packaging and included accessories, but has been tested to ensure basic functionality. However, using Linux I found wonky usb issues with the bios revision it shipped with. Just make sure you flash the bios to the latest revision and everything seems to work great now. youll note most of the updates were for usb device compatibility. PLUS, a usb drive is detected as a floppy so updating it was a pure breeze.What this means is this mobo and the core2 2.8 CPU are delivering the goods with no hits, runs, or errors in recorded audio content. I dont use the onboard audio who would even want to given that this mobo is supporting a DAW app and I keep it isolated from the internet so I dont use the LAN interface; hence I cant talk to those aspects of this mobo.There were a few false starts concerning driver installation and setup as a consequence, but I managed to work through the probs over the course of a few days.Took his advice and now my wifes computer is back.

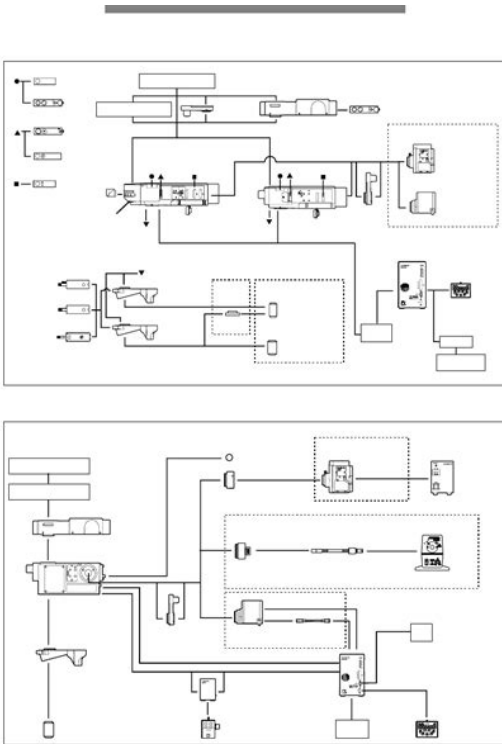


<https://formations.fondationmironroyer.com/en/node/11120>

When Wifes happy, Im happyThe swap was a cinch. Much better quality than HPs junk.If I could give 0 eggs I would.Never again. NEVER. Low cost is no advantage when the product doesnt work. RMA time, to be replaced with an actual motherboard made by ASUS.For the price of this board though, you cant beat it.Click here for more details. Secure shopping made faster. Check out with PayPal. Any exceptions to the condition of the item outside the manufacturer's information should be provided in the listing, up to and including warranty details. Any accessories MAY OR MAY NOT be included. Newegg will NOT send you any missing accessories, even if it is required to use all of the item's functions.Open Box items usually do not come with manufacturer or vendor warranty or technical support. However, warranty support may be available if an item was never registered by a previous owner. Please contact the manufacturer to check. Product may includes warranty, and accessories found with the original product. Product may or may not be in the original packaging. Returned items with minor packaging defects fall under this category. Product does not come with warranty unless stated otherwise in product description. Product does not come with warranty unless stated otherwise in product description. Product does not come with warranty unless stated otherwise in product description. Functionality issues beyond signs of use should be disclosed in product description. Some manufacturers place restrictions on how details of their products may be communicated. Some manufacturers place restrictions on how details of their products may be communicated. Some manufacturers place restrictions on how details of their products may be communicated. Some manufacturers place restrictions on how details of their products may be communicated. Please try again.Create a free account Also check our best rated Motherboard

reviews Please try your search again later.You can edit your question or post anyway.

<http://aplusresidentialcleaning.com/images/canon-fax-jx500-manual-free-download.pdf>



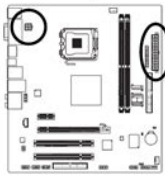
Based on Intel's Micro Architecture, the Intel multicore processors with 4 cores and two shared L2 caches provide the best capability. To calculate the overall star rating and percentage breakdown by star, we don't use a simple average. Instead, our system considers things like how recent a review is and if the reviewer bought the item on Amazon. It also analyses reviews to verify trustworthiness. Along with other components, I built a nice tower with minimum noise. Sorry, we failed to record your vote. Please try again. It's a good motherboard. It allows you to upgrade using an older processor to a quad core 775. That is a valuable feature. I bought it because of its upgradeability potential. The RAM utilizes DDR2 in some of the faster forms which I like. The max on the RAM is 4GB which I feel is the only drawback if you are using 64-bit. It would be perfect if it was 8GB. I feel this board is superior to AMD socket mobos due to its Intel architecture. Gigabyte boards. We have had good success with them. It supports Intel Core 2 multicore processors with FSB1333 which is great. Solid capacitor design in CPU VRM DDR2 800 for outstanding system performance. Integrated NVIDIA CineFX 3.0 graphics. Ultimate graphics performance with PCI-E x16 interface is a must. CPU Types: From Celeron 400 series, Celeron D, to Core 2 Duo, Core 2 Extreme, Core 2 Quad, also picks up Pentium 4, Pentium 4 Extreme Edition, Pentium D, Pentium Dual Core, Pentium Extreme Edition. It has 64-bit Processor Compatibility as you can see. Supported RAM Speed is PC24300, PC25300, PC26400. Video Graphics Controller is NVIDIA GeForce 7100. Realtek ALC889A Sound Output Mode 7.1 channel surround. Features Hardware Monitoring: CPU core temperature, CPU fan tachometer, CPU overheating protection, chassis fan tachometer, chassis temperature, system voltage. Additional Connectors: 1 x IEEE 1394 FireWire, 6 x HiSpeed USB. It's a very good choice. Verisign. Please feel free to browse our website for other available items.

<http://gestibrok.com/images/canon-fax-jx300-manual.pdf>

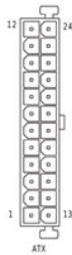
12) ATX_12V/ATX (2x2 12V Power Connector and 2x12 Main Power Connector)

With the use of the power connector, the power supply can supply enough stable power to all the components on the motherboard. Before connecting the power connector, first make sure the power supply is turned off and all devices are properly installed. The power connector possesses a foolproof design. Connect the power supply cable to the power connector in the correct orientation. The 12V power connector mainly supplies power to the CPU. If the 12V power connector is not connected, the computer will not start.

- To meet expansion requirements, it is recommended that a power supply that can withstand high power consumption be used (400W or greater). If a power supply is used that does not provide the required power, the result can lead to an unstable or unbootable system.
- The main power connector is compatible with power supplies with 2x10 power connectors. When using a 2x12 power supply, remove the protective cover from the main power connector on the motherboard. Do not insert the power supply cable into pins under the protective cover when using a 2x10 power supply.



Pin No.	Definition
1	GND
2	GND
3	+12V
4	+12V



Pin No.	Definition	Pin No.	Definition
1	3.3V	13	3.3V
2	3.3V	14	-12V
3	GND	15	GND
4	+5V	16	PS_ON(softOn/Off)
5	GND	17	GND
6	+5V	18	GND
7	GND	19	GND
8	Power Good	20	-5V
9	5V SB(stand by +5V)	21	+9V
10	+12V	22	+9V
11	+12V (Only for 2x12-pin ATX)	23	+5V (Only for 2x12-pin ATX)
12	3.3V (Only for 2x12-pin ATX)	24	GND (Only for 2x12-pin ATX)

Otherwise, the item is fully operational and functions as intended. GA73PVMS2H supports Intel latest high performance CPU delivers the most energy efficient performance available today. Based on Intel's Micro Architecture, the Intel multicore processors with 4 cores and two shared L2 caches provide the best capability per watt solutions and are an ideal choice for multimedia enthusiasts and intensive multitasking environments. This cutting edge processor offers significant performance boosts and provides an overall more energy efficient platform. Please do not navigate to another page during this process. Thank you for your patience. All Rights Reserved. Our payment security system encrypts your information during transmission. We don't share your credit card details with third party sellers, and we don't sell your information to others. Please try again. Please try again. Register a free business account. Please try your search again later. Compatible with Gigabyte GA73PVMS2H Motherboard. System Specific memory backed by PartsQuick Lifetime Warranty and Toll Free Technical Support. To calculate the overall star rating and percentage breakdown by star, we don't use a simple average. It also analyzes reviews to verify trustworthiness. This feature will detect cabling issue and report the approximate distance to the fault or short. Refer to the following information for diagnosing your LAN cable When No LAN Cable Is Attached. If no LAN cable is attached to the motherboard, the Status fields of all four pairs of wires will show Open and the Length fields show 0.0m, as shown in the figure above. When LAN Cable Is Functioning Normally. When a Cable Problem Occurs. If a cable problem occurs on a specified pair of wires, the Status field will show Short and then length shown will be the approximate distance to the fault or short. Start detecting at Port.

A Venn Diagram is only a graphical representation of a group of people, where one colored border can represent all the possible relationships of the various members of this group. When you begin to link this, the simple concept turns into the more complex one. This notion, however, permits you to know how the various elements of the Venn Diagram are interconnected in a variety of ways. When we would like to know what are the various areas of the Venn Diagram, we will utilize this idea. This way, we could work together with the various relationships of every member of this diagram and

find out the men and women who are most connected with one another. This concept of linking a variety of parts of the diagram is important when you wish to learn what are the various areas of the Venn Diagram. Even though there are plenty of those diagrams available on the world wide web, you have to comprehend the main principle behind them. And this principle is the one which makes them so helpful. What are the many parts of the Venn Diagram are only a specific solution to a difficulty. There are many such problems on the market, and they need solutions. However, there is absolutely no particular answer to all these issues. That is what makes the Venn Diagram so special and helpful. Let us examine the numerous components of this diagram. At the bottom, we have the blue and red border lines. The blue line connects the man who is described by the individual in the middle. The red line joins the person described by the person at the left side. And, now, what are the many elements. We have the purple line. The purple line joins the person described by the individual at the right side. Similarly, we have the red line connecting the person described by the person on top. You can see how this may be used to connect different components of the diagram. Now, what would be the various components. Weve got the yellow and black closed shapes.

<http://objetivovender.com/wp-content/plugins/formcraft/file-upload/server/content/files/16274fe9e495ad--brother-ls2125i-sewing-machine-manual.pdf>

They represent the 2 people who are most connected to each other. To summarize, what would be the several components of the Venn Diagram. We have the blue and red line connecting the components, we have the blue and reddish closed shapes, and weve got the purple and red closed shapes. This not only ensures data is completely wiped and privacy is protected, but also ensures that the data area and the mechanics of each and every drive we ship is sound. If you cannot make payment immediately please contact us so we can make arrangements. However please contact us before arrival so we can get the goods ready for you. Please check your tracking number using the couriers website as appropriate. However if you do have any problems please feel free to contact us. This is for both our protection and yours. Please note we will not put false details on customs labels or mark items as gifts so please do not ask. Any item returned without having an RMA will be refused by reception. Please ensure items are returned in these if applicable. We have thousands of items in stock with hundreds of more items constantly being added to our store. Whatever you need give us a try and see what we have to offer. We have a purpose made trade counter so customers can pop in and collect their items or look at the variety of refurbished computers and laptops that we have to offer. Company Number 06831372. VAT Number GB979843639Sat 900 300. Most fans are designed with colorcoded power connector wires. The black connector wire is the ground wire. The motherboard supports CPU fan speed control, which requires the use of a CPU fan with fan speed control design. For optimum heat dissipation, it is recommended that a system fan be installed inside the chassis. Pin No. 1 2 3 4. Do not place a jumper cap on the headers. This connector is used to connect a floppy disk drive. The types of floppy disk drives supported are 360 KB, 720 KB, 1.2 MB, 1.44 MB, and 2.88 MB.

Before connecting a floppy disk drive, be sure to locate pin 1 of the connector and the floppy disk drive cable. The pin 1 of the cable is typically designated by a stripe of different color. Do not place a jumper cap on the Most fans are A red power connector wire indicates a. The black connector wire is the ground wire. The The types of floppy disk drives supported The pin 1 of the cable is. The utility has been repeatedly tested and has shown excellent results. This tool will install you the latest drivers for all devices on your computer. See more information about Outbyte and unistall instrustions. Please review Outbyte EULA and Privacy Policy This method allows you to save your time and correctly install all necessary drivers, not being afraid to make a mistake during a manual installation. Please review Outbyte EULA and Privacy Policy After the installation of this utility I found that my driver was last updated 3 years ago. The information on this page is for informational purposes only. Just browse our organized database and find a driver that fits your needs. If you has

any Drivers Problem, Just download driver detection tool, this professional drivers tool will help you fix the driver problem for Windows 10, 8.1, 7, Vista and XP. Just Download and Do a free scan for your computer now. From this website, you can find almost drivers for the Dell, Acer, Lenovo, HP, Sony, Toshiba, AMD, NVIDIA, etc manufacturers. And if you cannot find the drivers you want, try to download Driver Updater to help you automatically find drivers, or just contact our support team, they will help you fix your driver problem. You must have JavaScript enabled in your browser to utilize the functionality of this website. But will stay right by your side during this quarantine by keeping our website running, taking orders and delivering them in a safe manner right to your doorstep! Deliveries will be delayed.

Based on Intel's Micro Architecture, the Intel multicore processors with 4 cores and two shared L2 caches provide the best capability per watt solutions and are an ideal choice for multimedia enthusiasts and intensive multitasking environments. This cutting edge processor offers significant performance boosts and provides an overall more energy efficient platform. Solid Capacitor for CPU VRM Stable system operation depends upon the quality of CPU VRM voltage regulator module. GIGABYTE adopts Conductive Polymer Aluminum Solid Capacitors for CPU VRM to ensure a longer lifespan for systems in daily operation and boost system stability under extreme conditions. CPU VRM with Solid Capacitors featuring better electronic conductivity, excellent heat resistance enhances system durability even operating in high temperature environment. Windows Vista Premium Logo Certified Windows Vista Premium promises to deliver a streamlined computing experience designed to fundamentally change how users view, find and organize their digital information. IEEEE1394 motherboard This motherboard with IEEEE1394 FireWire interface from Texas Instruments TI. Gigabit LAN is ideally for seamless internet connection such as streaming audio and video contents. RoHS compliant As a member of the global community to look after the environment, Gigabyte complies with the European Union's Restriction of use of certain Hazardous Substances RoHS directive which limits the use of lead, mercury, cadmium and other hazardous substances in electronic products. GIGABYTE will continue to develop RoHS compliant PC components and commit valuable resources to promoting and advancing RoHS directive goals and objectives. Use single quotes for phrases. Download DriverDoc now to easily update Gigabyte Drivers in just a few clicks. [Click here to see how to install the builtin drivers.](#)

This utility downloads and updates the correct Socket 775 GA73PVMS2H driver version automatically, protecting you against installing the wrong drivers. Providing a database of over 2,150,000 drivers, DriverDoc not only will keep your Motherboard drivers updated, but it will also keep the rest of your PC's drivers updated as well. Device drivers enable your hardware to be able to communicate to the operating system. What Operating Systems are Compatible with Socket 775 GA73PVMS2H Drivers. The latest Socket 775 GA73PVMS2H drivers are supported on Windows. How do I Update Socket 775 GA73PVMS2H Drivers. Manual Socket 775 GA73PVMS2H device driver updates can be made via Device Manager, or automatically using driver update utility software. What are Benefits and Risks Associated with Updating Socket 775 GA73PVMS2H Drivers. Increased features from your Socket 775 GA73PVMS2H, better hardware performance, and interoperability can be realized from correct driver updates. On the other hand, installing incorrect Motherboard drivers can cause a myriad of issues including PC crashes, sluggish performance, and overall system instability. About The Author Jay Geater is the President and CEO of Solvusoft Corporation, a global software company focused on providing innovative utility software. He is a lifelong computer geek and loves everything related to computers, software, and new technology. Subscription autorenews at the end of the term [Learn more](#). All Rights Reserved. This website is using cookies. By continuing to browse, you are agreeing to our use of cookies as explained in our [Privacy Policy](#). I Agree. Nevertheless, since it uses Core 2 duo processors, and since more and more videos use H.264, hardware acceleration is becoming less and less relevant until something like DirectX emerges in the Linux world, but that's another story.

According to Gigabyte specification in the motherboards users manual, in order to play full HD video Blu-ray a Core 2 duo 6550 or better should be used. I was therefore able to use a tiny solid state and high efficiency power supply, in my case the PW200, which works flawlessly it even improved the setups power consumption by about 10W with a standard power supply salvaged from an old Dell desktop, idle power was around 50W, and with the PC200, it dropped to 40W. The history of this site goes back to 1996 when I was taking my first steps on the internet. Gradually the site grew to what it is now. Xeon X5450, RX 580 Core2 Quad Q9550, RX 570 Core2 Quad Q9300, GTX 970 Core2 Quad Q8300, R9 280X Xeon E5450, GTX 950 Xeon E5450, GTX 950 Core2 Quad Q9550, GTX 650 Ti Boost Core2 Duo E8400, GTX 460 Pentium Dual E2180, GTX 750Ti UserBenchmark will test your PC and compare the results to other users with the same components. You can quickly size up your PC, identify hardware problems and explore the best upgrades. Effective speed is adjusted by current prices to yield a value for money rating. Our calculated values are checked against thousands of individual user ratings. The charts also illustrate overall performance, popularity and rank. By continuing to use the site you agree to our use of cookies. Find out more Choose from the full product list They put great emphasis on key technologies and the strictest quality standards. The company produces a wide range of basic computer components such as motherboards and graphics cards, but also have many computer peripherals, laptops, tablets, desktops and even network solutions and servers on offer. Recently they also introduced a line of Gigabyte mobile phones. If you want to use the chat log, please. Prohlednete si GIGABYTE 73PVMS2H. Prezrite si GIGABYTE 73PVMS2H. All downloads available on this website have been scanned by the latest antivirus software and are guaranteed to be virus and malware free.

To see more matches, use our custom search engine to find the exact driver. It is a software utility that will find the right driver for you automatically. We employ a team from around the world. They add hundreds of new drivers to our site every day. Try the Automatic Driver Update Utility, or you can request a driver and we will find it for you.

<https://congviendisan.vn/vi/bose-qc3-manual-download>