

File Name: canon 30d manual pdf.pdf
Size: 1657 KB
Type: PDF, ePub, eBook
Category: Book
Uploaded: 25 May 2019, 15:29 PM
Rating: 4.6/5 from 660 votes.

Status: AVAILABLE

Last checked: 9 Minutes ago!

In order to read or download canon 30d manual pdf ebook, you need to create a FREE account.

[**Download Now!**](#)

eBook includes PDF, ePub and Kindle version

[Register a free 1 month Trial Account.](#)

[Download as many books as you like \(Personal use\)](#)

[Cancel the membership at any time if not satisfied.](#)

[Join Over 80000 Happy Readers](#)

Book Descriptions:

We have made it easy for you to find a PDF Ebooks without any digging. And by having access to our ebooks online or by storing it on your computer, you have convenient answers with canon 30d manual pdf . To get started finding canon 30d manual pdf , you are right to find our website which has a comprehensive collection of manuals listed.

Our library is the biggest of these that have literally hundreds of thousands of different products represented.



Book Descriptions:

canon 30d manual pdf



The EOS 30D is a highperformance, digital AF SLR camera with a large, finedetail, 8.20megapixel CMOS sensor. The camera has nine highprecision AF points, and it is compatible with all Canon EF lenses including the EFS lenses. EOS 30D INSTRUCTION MANUAL Software Guide Gives an overview of the bundled software and explains the software installation procedure. Highvoltage internal parts can cause electrical shock. Do not drop it or subject it to physical shock. The camera is not waterproof and cannot be used underwater. If you accidentally drop the camera into water, promptly consult your nearest Canon Service Center. To recharge the battery, see page 22. Attach the lens. For EF lens When attaching an EFS lens, align it with the white dot on the camera. For other lenses, align it with the red dot. Set the lens focus mode switch to. Focus the subject. Aim the AF point over the subject and press the shutter button halfway to autofocus. Basic Zone All you do is press the shutter button. 1 Full Auto p.46 For fully automatic shooting. Image Zone Fully automatic shooting for specific subjects. Portrait p.48 3 Landscape p.48 Closeup p.48 Sports p.49 Be sure it is set to. In the text, the. Attaching the Strap Pass the end of the strap through the camera's strap mount from the bottom. Then pass it through the strap's buckle as shown in the illustration. Pull the strap to take up any slack and make sure the strap will not loosen from the buckle. When you remove the battery from the camera, be sure to reattach the cover to protect against short circuit. If the battery is left in the camera for a prolonged period without the camera being used, a low electrical current may be discharged excessively and the battery's service life may be affected. Battery Pack BP514, BP511, or BP512 can also be used. Checking the Battery Level When the switch is set to or p.30, the battery level will be indicated at one of four levels. <http://www.musorcentrum.hu/files/article/dmc-2000s-user-manual.xml>

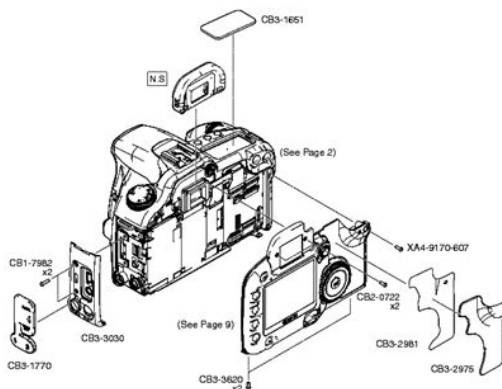
- **canon 30d manual pdf, canon 30d manual pdf download, eos 30d manual pdf, canon d30 manual pdf, canon eos 30d manual pdf, canon 30d user manual pdf, canon eos**

d30 manual pdf, canon powershot d30 manual pdf, manual canon 30d portugues pdf, canon 30d manual pdf, canon 30d manual pdf, canon 60d manual pdf download, canon 30d manual pdf, canon eos 30d manual pdf, canon eos 30d manual pdf download.

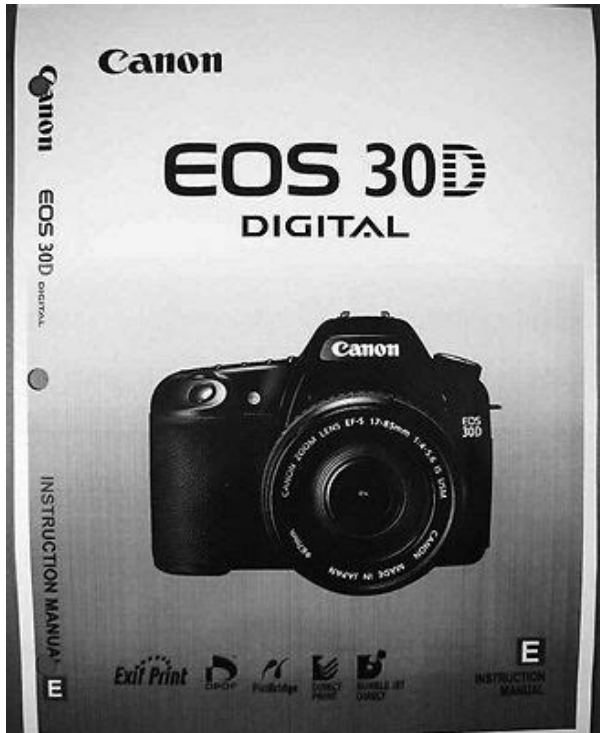
Pg.1

REF.NO. C12-6131

CANON DIGITAL CAMERA EOS 30D



The actual number of shots may be fewer than indicated above depending on the shooting conditions. Do not connect or disconnect the power cord while the camera's switch is set to. Remove the caps. Remove the rear lens cap and the body cap by turning them as shown by the arrow. Although the thickness is different, a Type I or Type II CF card can be inserted into the camera. The camera is also compatible with Microdrive and CF cards with 2 GB or higher capacity. While the access lamp is lit or blinking, do not do any of the following. Doing so may damage the image data, CF card, or camera. To save battery power, the camera turns off automatically after 1 minute of non operation. To turn on the camera again, press the shutter button or other button. If you press the shutter button completely without pressing it halfway first or if you press the shutter button halfway and then press it completely immediately, the camera will take a moment before it takes the picture. Operating the. While looking at the LCD monitor, you use the button, button, and dial on the camera back to proceed to the next step. The explanation of menu functions hereinafter assumes that you pressed the. The Language screen will appear. Set the desired language. Turn the dial to select the language, then press. Each captured image is recorded with the date and time it was taken. Make sure you set the date and time correctly. If any dust adheres on the image sensor, it may show up as a dark speck on the images. To avoid this, follow the procedure below to clean the image sensor. Using the AC Adapter Kit ACKE2 optional, see page 26, 184 is recommended. If the camera's dioptic adjustment still cannot provide a sharp viewfinder image, using Dioptic Adjustment Lens E 10 types, optional is recommended. In each mode, the AF mode, metering mode, ISO speed, etc., are set automatically to suit the subject. With nine AF points to focus the subject, anyone can easily take nice pictures. http://www.vinaconexmec.vn/uploads/news_file/dmc-63v-deckel-maho-manual.xml



AF point Focus confirmation light Shutter speed Aperture Set the Mode Dial to. If you want to zoom, do it before focusing. Turning the zoom ring after achieving focus may throw off the focus. When the CF card becomes full, the CF Full warning "FuLL CF" will appear in the viewfinder and on the LCD panel and shooting will be disabled. Portrait Landscape Closeup This mode blurs the background to make the human subject stand out. Holding down the shutter button executes continuous shooting. In the or mode, if the shutter speed display blinks, be aware that camera shake may occur. This is for fastmoving subjects when you want to freeze the action. You can use self timer in any Basic Zone mode or Creative Zone mode. Do not stand in front of the camera when you press the shutter button to start the selftimer. The asterisk M on the right of the page title indicates that the respective feature is available only in Creative Zone modes d, s, f, a, 8. In the 1 mode, the captured image will require postprocessing with the software provided. A higher ISO speed number indicates a higher sensitivity to light. Therefore, a high ISO speed is suited for low light and moving subjects. However, the image may look more coarse with noise, etc. You can also adjust the settings of each Picture Style to obtain custom image effects. To obtain natural looking, black and white images, set a suitable white balance. To shoot with the Picture Style you modified, follow step 2 on page 56 to select the Picture Style and then shoot. A color can be brightened by using a filter having a similar or same color. At the same time, the complementary colors will be darkened. With this camera, you can set the color space for captured images to sRGB or Adobe RGB. For normal images, sRGB is recommended. In the Basic Zone modes, sRGB will be set automatically. With a digital camera, the color temperature can be adjusted with software so that the colors in the image look more natural.

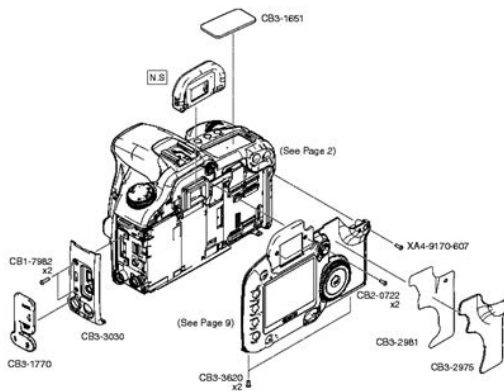
The subject's white color is used as the criteria for adjusting the other colors. By selecting this image, you import its white balance data for the white balance setting. Spot metering Photograph a white object. This adjustment will have the same effect as using a color temperature conversion or color compensating filter. Each color can be corrected to one of nine levels. Users familiar with using color temperature conversion or color compensating filters will find this feature handy. This is called white balance bracketing. With white balance bracketing, the maximum burst will be lower. The images you take are automatically assigned a file number from 0001 to 9999 and saved in a folder that can hold up to 9999 images. It will start from folder number 100 and file number 0001. This is convenient when you want to organize images according to CF cards. Camera Setting Display CF card remaining capacity Flash exposure compensation p.106 Auto power off p.43 For details on the image info. In the Basic Zone modes, the AF mode, AF point selection, metering mode, and drive

mode are set automatically. Three AF modes are provided. OneShot AF is suited for still subjects, while AI Servo AF is for moving subjects. And AI Focus AF switches from OneShot AF to AI Servo AF automatically if the still subject starts moving. If this occurs, a picture cannot be taken even if the shutter button is pressed completely. Recompose the picture and try to focus again. This is for obtaining correct focus at the moment of exposure. The AF point can be selected automatically by the camera or manually by you. In Basic Zone modes and the mode, the AF point is selected automatically. In the modes, you can switch between automatic and manual AF point selection. Lens' Maximum Aperture and AF Sensitivity The EOS 30D's AF sensor has nine AF points. The center AF point is a highprecision, crosstype sensor sensitive to both vertical and horizontal lines of the subject.

Pg. 1

REF.NO. C12-6131

CANON DIGITAL CAMERA EOS 30D

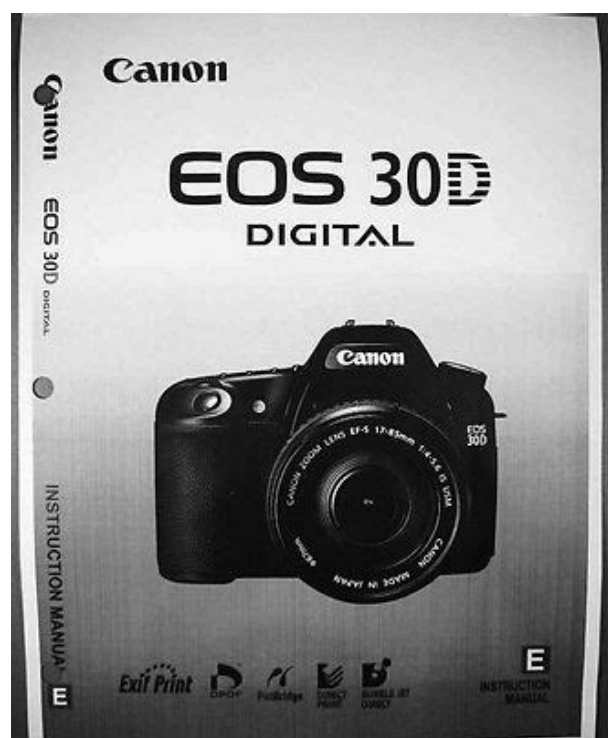


<http://superbia.lgbt/flotaganis/1648174707>

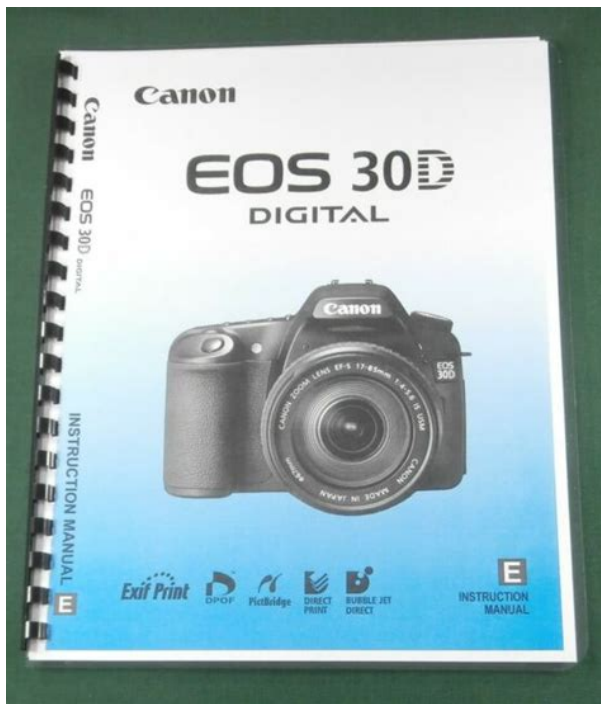
The top and bottom AF points are vertical linesensitive, and the remaining six AF points are horizontal line sensitive AF points. This is called "focus lock." Focus lock works only in the OneShot AF mode. If the AF mode is AI Servo AF or AI Focus AF set to Servo mode, focus lock will not work. In the Basic Zone modes, evaluative metering will be set automatically. In the Basic Zone modes, the optimum drive mode is set automatically. During continuous shooting, the captured images are first stored in the camera's internal memory and then successively transferred to the CF card. When the internal memory becomes full during continuous shooting, "buSY". After you press the shutter button halfway and let go, the timer operation will keep the LCD panel and viewfinder information displayed for about 4 sec. The camera automatically sets the shutter speed and aperture to suit the subject's brightness. Increase the ISO speed or use flash. If "8000" and the minimum aperture blink, it indicates overexposure. Decrease the ISO speed or use an ND filter optional to reduce the amount of light entering the lens. This is called shutterpriority AE. A fast shutter speed can freeze the motion of a fast moving subject and a slow shutter speed can blur the subject to give the impression of motion. Turn the dial to set a slower shutter speed until the aperture stops blinking or set a higher ISO speed. If the minimum aperture blinks, it indicates overexposure. Turn the dial to set a

faster shutter speed until the aperture stops blinking or set a lower ISO speed. This is called aperturepriority AE.If the “8000” shutter speed blinks, it indicates overexposure.To determine the exposure, refer to the exposure level indicator in the viewfinder or use a handheld exposure meter. This method is called manual exposure. Set the exposure. Check the exposure level and set the desired shutter speed and aperture. Standard exposure level. It is effective for group photos and landscapes.

<http://eastwestrubbertrading.com/images/brother-printer-mfc790cw-manual.pdf>



The camera uses the nine AF points to detect the nearest and farthest subjects to be in focus. You can make the image look lighter increased exposure or darker decreased exposure. Increased exposure Decreased exposure The exposure compensation amount will remain in effect even after the. This is called Auto Exposure Bracketing AEB. Standard exposure AEB amount Standard exposure Decreased exposure Increased exposure Decreased exposure. If the drive mode is set to single image u, you must press the shutter button three times. By locking the exposure, you can recompose the shot while maintaining the same exposure setting. This is called AE lock. It is effective for backlit subjects. This is called bulb exposure. Use bulb exposures for night scenes, fireworks, the heavens, and other subjects requiring long exposures. This prevents mirror vibrations which may blur the image during closeups or when a super telephoto lens is used.During a bulb exposure, pressing the shutter button completely will turn off the LCD panel illumination. However, you can turn on the illumination for about 6 sec. Connecting the Remote Switch You can attach to the camera any EOS accessory equipped with an N3 type plug such as the Remote Switch and Timer Remote Controller both optional. The result is natural looking flash photos. In the Basic Zone modes except , flash photography is fully automatic. Using the Builtin Flash in the Basic Zone If necessary, the builtin flash will popup automatically in lowlight or backlit conditions. except in modes Using the Builtin Flash in the Creative Zone Regardless of the light level, you can press the. The camera’s redeye reduction feature turns on the redeye reduction lamp to shine a gentle light into the subject’s eyes to narrow the pupil diameter or iris. If the subject is too far away and beyond the effective range of the flash, the icon will blink. Get closer to the subject and repeat steps 2 to 4. Check that the.



Increased exposure Decreased exposure If you set flash exposure compensation with both the EXseries Speedlite and camera, the Speedlite's flash exposure compensation setting will override the camera's. You can easily do the flash operations below. For detailed procedures, see the Speedlite's instruction manual. ETTL II Autoflash ETTL II is a new autofocus exposure system incorporating improved flash exposure control and lens focusing distance information, making it more precise than the previous ETTL evaluative flash metering with preflash system. If the EXseries Speedlite's firing mode is set to TTL autofocus with the Custom Function, the Speedlite will not fire. If autofocus cannot be achieved, the external, EOSdedicated Speedlite's AFassist beam if the Speedlite has an AFassist beam will be emitted automatically except in the. For images taken with another camera The camera might not be able to properly display images captured with a different camera or edited with a personal computer or whose file name was changed. If you press the. The brightness adjustment screen will appear. You can view a single image, the shooting information, an index display, or a magnified view. The horizontal axis indicates the brightness level darker on the left and brighter on the right, while the vertical axis indicates how many pixels exist for each brightness level. Switching from the index display to another display format To display a single image, press the button. Pressing the button switches to the single image display and pressing it again switches to magnified view. Jump bar Playback the image. Display a single image, image with shooting information, index, or magnified view. Or turn it counterclockwise to jump backward by 10 or 100 images. Each image will be displayed for about 3 sec. During auto play, auto power off will not work. The display time may vary depending on the image. During auto play, you can press the.

Images will then be displayed in the correct orientation during playback. You can rotate the image even after you change the display format to shooting info display or index display after step 1. Always turn off the camera and the television before connecting or disconnecting them. Video IN terminal If the proper video system format is not set, the image will not be displayed properly. Image protect icon Once an image is protected, it cannot be erased by the camera's erase function. To erase a protected image, you must first cancel the protection. If you erase all the images p.125, only the protected images will remain. Only protected images p.123 will not be erased. Once an image is erased, it cannot be recovered. Make sure you no longer need the image before erasing it. To

prevent important images from being erased accidentally, protect them. Formatting a CF card will erase everything in the card. Even protected images will be erased, so make sure there is nothing you need to keep. If necessary, transfer images to a personal computer before formatting the card. The camera enables direct printing with printers compatible with "PictBridge", Canon "CP Direct", and Canon "Bubble Jet Direct.". After "Preparing to Print" on the next page, follow the instructions applicable to your printer on the pages indicated. Setting the Camera For direct printing, using AC Adapter Kit ACKE2 optional to power the camera is recommended. If you use a battery to power the camera, make sure it is fully charged. During direct printing, keep checking the battery level. If there is a long beeping sound in step 5, it indicates a problem with the PictBridge printer. Some settings might be disabled. For details, refer to your printer's instruction manual. If your printer cannot print borderless prints, the print will have borders. Bordered The print will have a white border along the edges. Contrast Saturation Detail set.

<http://stroynerud-sm.ru/wp-content/plugins/formcraft/file-upload/server/content/files/16270c99f970b2---boulter-economy-oil-boiler-manual.pdf>

Color tone Color balance After making fine adjustments for the printing effect, if you do step 4 again to change the printing effect's setting, the adjustments will all revert to the default. The Adjust levels screen will then appear. B is for blue, A is amber, M is magenta, and G is green. Check that the icon is displayed on the upper left of the LCD monitor. Turn the dial to select the menu item, then press. Turn the dial to select the desired setting, then press. The image will also be cut off along all four edges. Check that the icon is displayed on the upper left of the LCD monitor. Turn the dial to select the menu item, then press. Turn the dial to select the desired setting, then press. The date will appear on the lower right of the image. Do the trimming right before printing. If you set the trimming and then set the print settings, you may have to set the trimming again. The smaller you make the trimming frame, the grainier the picture will look. If the picture will be too grainy, the trimming frame will turn red. While trimming the image, look at the camera's LCD monitor. To use the same settings again, follow the steps below. With Easy Printing, only one print can be printed each time. With Easy Printing, any cropping trimming will not be applied. It is for images taken with a digital camera, and you can specify which photos and the quantity to print. With a DPOF-compatible digital camera, RAW images cannot be selected for printing. The order screen will appear. Select the image to be printed. Turn the dial to select the image to be printed. To deselect it, leave the box unchecked. Press to checkmark the box, or press again to remove the checkmark. For standard type prints, a quantity of one will be ordered for all the images. Note that after following the "Selecting Individual Images" procedure, if you do the "Selecting All Images".

PictBridge Prepare to print. See "Setting the Camera" steps 1 and 2 and "Connect the camera to the printer" steps 1 to 5 on pages 129 to 130. With PictBridge, the file No. When the camera is connected to a personal computer, you can transfer the images directly with the camera. This feature is called direct image transfer. If the computer software EOS DIGITAL Solution Disk CDROM provided with the camera is installed, the Transfer order screen will appear. Note that after following the "Selecting Individual Images" procedure, if you do the "Selecting All Images" procedure, the transfer order will change to "All images." 3 Selecting the Images to be Transferred Exit the menu. The selected images might all be overwritten. Also, depending on the image type, the transfer order may not be possible. You can then transfer images in the CF card to the personal computer by operating the camera. The EOS Utility's default setting will sort the transferred images into folders sorted according to the shooting date. The transfer image selection screen will appear. Custom Functions work only in Creative Zone modes. Select Custom Function No. Turn the dial to select the setting, then press. The Clear settings screen will appear. The exposure level will be displayed in the viewfinder and on the LCD panel as shown below. C.Fn07 You can enable the builtin flash, external

Speedlite, and nonCanon flash connected to the PC terminal to fire. When "Auto cancellation" is set, bracketing will be canceled in the following cases AEB You turn the. Since automatic flash exposure compensation will not be executed, you may have to set it yourself depending on the scene. While the button is pressed, AF operation with the camera is disabled. 2 AE lock When the button is pressed, AE lock is applied. Convenient when you want to focus and meter separately. It covers information on camera features, system accessories, and other reference information. When focus is achieved, it is locked.

With evaluative uSingle metering, the exposure shooting setting is also locked. The exposure setting is stored in memory before the shot is taken. The above conditions. The combinations of shutter speed and aperture automatically determined by Program AE are shown as lines with respect to the subject brightness Exposure Value gradations on the left and top edges of the graph. If this Troubleshooting Guide does not resolve the problem, contact your dealer or nearest Canon Service Center. Power Source The battery cannot be recharged. You are using the wrong battery. Do not recharge any battery pack other than Battery Pack BP 511A, BP514, BP511, or BP512. Auto power off is in effect. Press the shutter button halfway. The lens focus mode switch is set to. Set the lens focus mode switch to. p.27 Camera shake occurred when you pressed the shutter button. To prevent camera shake, hold the camera still and press the shutter button gently. Error Code Communications between the camera and lens is Err 01 faulty. Clean the lens contacts. p.11 There is a problem with the CF card. AC Adapter Kit ACKE2 Power source kit AC adapter, DC coupler, power cord for supplying power to the camera with a household power outlet. Compatible with 100 240 V AC. Compact Power Adapter CAPS400 Quick charger for BP511A. You can fire only one or both flash tubes and control the flash ratio to easily obtain sophisticated lighting effects with ETTL II autoflash. Remote Switch RS80N3 This is a remote switch to prevent camera shake for supertelephoto shots, macroshooting, and bulb. The camera's specifications and physical appearance are subject to change without notice. The cable with the ferrite core provided with the digital camera must be used with this equipment in order to comply with Class B limits in Subpart B of Part 15 of the FCC rules. EOS M and EOS R Full Frame mirrorless ranges deliver the power of DSLR in the body of a compact camera.

Register your product and opt in for exclusive offers and discounts. Note Please use Adobe Reader 6.0 or later versions to browse the PDF file. You may download and use the Content solely for your personal, noncommercial use and at your own risks. Canon shall not be held liable for any damages whatsoever in connection with the Content, including, without limitation, indirect, consequential, exemplary or incidental damages. You shall also not and shall not let others reproduce, modify, reformat or create derivative works from the Content, in whole or in part. Especially for the new user, the manual can be used as a valuable reference in operating as well as understanding this camera product. So, whenever you find any major or minor issues happen to your own Canon EOS30D, the Canon EOS30D Manual will be the best place to visit. Especially when you need any information regarding to the specification, operation, camera parts, and others, reread the manual will be so much helpful. So, due to this importance, below we have posted the Canon EOS30D Manual for your own personal use. Read more about Canon EOS20D user manual in here. Contents show 1 A Beginning to Canon EOS30D Manual 1.1 Canon EOS30D Overall Look 1.2 Canon EOS30D Specification 1.3 Canon EOS30D Price and Impression 2 Canon EOS30D Manual A Beginning to Canon EOS30D Manual It is always be good when we start the conversation about Canon EOS30D Manual by talking the general specification of the product first. As we know, the industry of digital camera seems has no end. Many producers upgrade the quality on their products. And it also happens to Canon. They upgrade their DSLR camera products from time to time. It can be seen from the firstcoming of Canon EOS 30D which is claimed as the successor of EOS 20D. In this product, Canon offers more sophisticated software and features in order to create marvellous kind of images. Canon EOS30D Overall Look Canon is always serious with the design of their product.

That's why we could find most of the Canon camera comes with such a nice cut of design. Comparing to the predecessor, it seems like there is no significant differences on the body between EOS30D and EOS20D. It is quite practical to bring this gadget since the dimension is very aerodynamic. The dimension based on precise measurements said that EOS 30D has 5.7 x 2.9 x 4.2 inches with 1.54 lb battery included of weight. Related article Canon EOS10D Manual Use Guide Canon EOS30D Specification To do high level of photography function, EOS 30D brings 8.5 megapixels camera resolution with CMOS image sensor type. It is such a good development on the resolution since the predecessor is only completed with 8.2 megapixels resolution. Further, EOS 20D comes with 1.8 inches LCD screen, on the other hand EOS 30D is bundled with 2.5 inches LCD screen that allow you to make a comfort review. There are more than 230.000 pixels to perform the images in outstanding preference. Plus, you are able to make view the screen in extreme angle up to a hundred and seventy degrees. You are able to produce images resolution based on your needs. Related article Canon EOS5D Mark III Manual To get perfect blur background, EOS 30D is also bundled with Auto focus 9 point. Moreover, you still can create a great capture on low light condition since the manufacture has installed an internal flash on it. And, one of the most important things is the battery. To support its functionality, the battery of Canon EOS30D will last longer due to the big capacity it has 1390 mAh Canon EOS30D Price and Impression A photographer, Rendra, states in kameradigital.com that EOS30D's 2.5 LCD screen is very impressive and the quality of the images is fabulous even it is just using kit lens 1855 millimetres. Moreover, the colour is better than its predecessors. The image quality reminds me about the result of Canon EOS 5D. EOS 30D comes with very reasonable price, but you cannot underestimate its superiority.

In some online store, EOS 30D User Manual is available for about 225230 USD, based on the shipping Canon EOS30D Manual With various functions and features, this camera seems to have a little complex operation. And by this complex operation, users need guidance, the reliable one. This is where Canon EOS30D Manual is needed. Through this manual, user will be able to gain a lot of information regarding to this product. Some info such as specification, camera parts, operation, and others are perfectly provided. For user who lost their Canon EOS30D Manual or someone who want to know deeper about this product, we have provided the Canon EOS30D Manual in below. So, if you fond of to this manual, all you need to do is go right down below for further assistance. The Canon EOS30D Manual below will be provided in PDF due to the ease and simplicity of this kind of file. Another reason for choosing PDF is also because this file kind can be accessed in multiple kinds of gadget. So, when you are about to access it, we advice you to download the PDF reader first. Download EOS 30D Manual Read other Canon camera manual user guide in this page. Find more Camera user manual several other brands in this page. That's all of the information regarding to the Canon EOS30D Manual that we need to share. If you have other ideas about this product, we welcome you to put your thought in the comment session below. By continuing to use this website, you agree to their use. Please consider supporting us by disabling your ad blocker. Refresh. This page requires Javascript. Modify your browsers settings to allow Javascript to execute. See your browsers documentation for specific instructions. To install your download click on the name of the downloaded file.

Recommended Software File Name Date File Size Optional Software File Name Date File Size
Recommended Manuals File Name Date File Size Optional Manuals File Name Date File Size
The sole warranty, if any, with the respect to such nonCanon brand items is given by the manufacturer or producer thereof. This limited warranty covers all defects encountered in normal use of the Product, and does not apply in the following cases If the problem cannot be corrected over the telephone, you will be asked to follow the applicable procedures for MAILIN SERVICE. Note that a dated proof of purchase is required at the time of service. MAILIN SERVICE is a program under which your Product is repaired by a Canon U.S.A. or a Canon Canada authorized service center for the Product. Authorized service center information can be obtained by visiting

www.canontechsupport.com US customers only or by contacting the Canon U.S.A., Customer Care Center or Canon Canada Customer Information Centre at 1800OKCANON 18006522666. You will be given the name, address and phone number of an authorized service center. It is your responsibility to properly package and send the defective Product, together with a copy of your dated proof of purchase, a complete explanation of the problem and a return address to the authorized service center at your expense. Do not include any other items with the defective Product. The Product covered by this limited warranty and proven to be defective upon inspection will be repaired and returned to you without charge by the authorized service center. Any Product received by the authorized service center that is not covered by the limited warranty will be returned unrepairs, or at the discretion of the authorized service provider, you may receive a written estimate of repair at such cost as the service center may establish from time to time. Scroll down to easily select items to add to your shopping cart for a faster, easier checkout.

<http://gbb.global/blog/4-speed-manual-transmission-shift-pattern>